

NUMBER C-174683



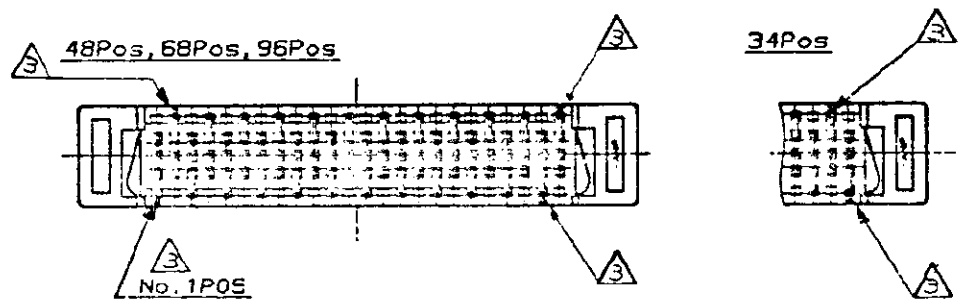
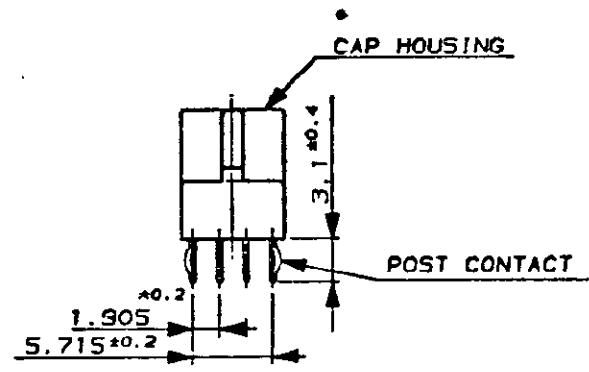
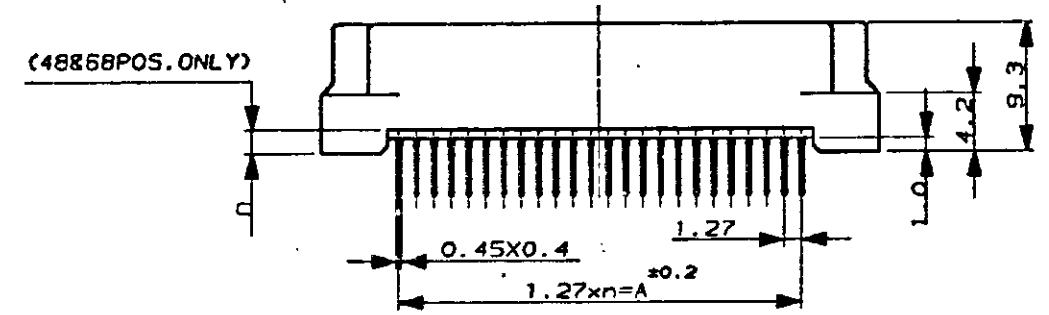
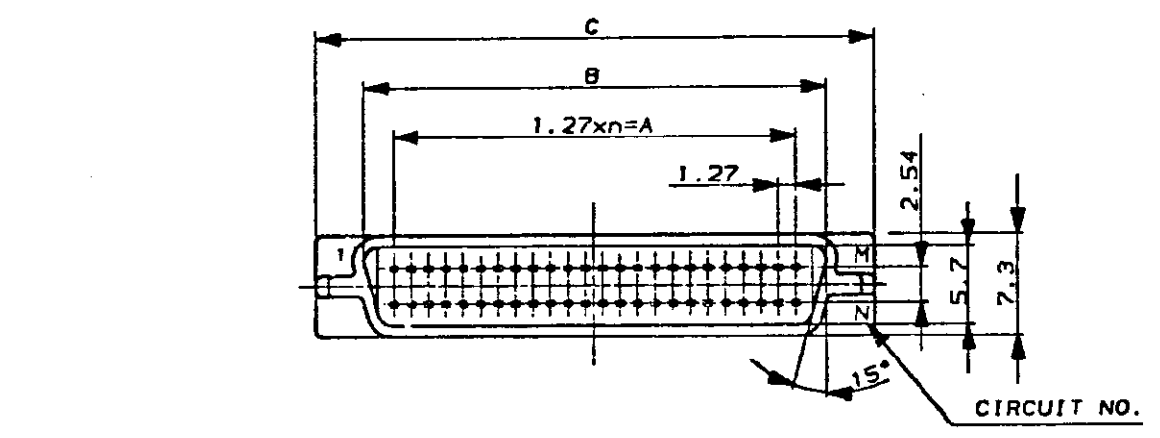
METRIC

APR 3 '81

DIMENSIONS IN MILLIMETERS. DO NOT SCALE PRINT

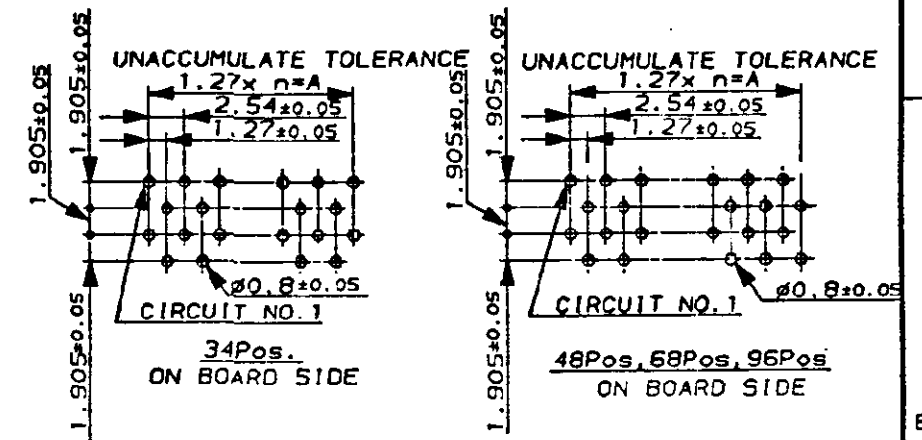
PRINT DIST

AMP-J REV. 10/83



NOTES

- 1 MATERIAL AND FINISH
 - CAP HOUSING
 - , THERMOPLASTIC (UL94V-0) COLOR, BLACK
 - POST CONTACT
 - , PHOS-BRONZE FINISH, OVER NICKEL
 - MATING END: 0.0002 MIN. OR 0.00076 MIN. GOLD.
 - TERMINATION END: TIN-LEAD OVER SEALING TREATMENT.
- 2 P.C.B LAYOUT AND P.C.B TREATMENT (REF.)
 - USE A P.C.B SURFACE ARE TREATED WITH SOLDER RESIST.



3 KINK POSITIONS (4 POSITIONS)

Au Pl. 0.00076 MIN.	96	48	59.69	64.06	71.00	---	47	96	5-174683-8
	68	34	41.91	46.28	53.22	1.7	33	68	6-174683-7
	48	24	29.21	33.58	40.52	1.7	23	48	6-174683-6
	34	17	20.32	24.69	31.63	---	16	34	6-174683-5
Au Pl. 0.0002 MIN.	96	48	59.69	64.06	71.00	---	47	96	174683-8
	68	34	41.91	46.28	53.22	1.7	33	68	174683-7
	48	24	29.21	33.58	40.52	1.7	23	48	174683-6
	34	17	20.32	24.69	31.63	---	16	34	174683-5
REMARK	N	M	A	B	C	D	n	POS.	PART NO.
	CIRCUIT NO.								

<p>WIRE RANGE</p>				<p>INSULATION DIA</p>				<p>NAME</p>			
<p>MATERIAL</p>				<p>FINISH</p>				<p>CAP ASS'Y VERTICAL (W/KINK) FOR AMPLITE 050 SERIES I B-TO-B CONN.</p>			
<p>DR. Yo. SATO 12/23/87 DE.</p>				<p>DR. RAISHIJIWA 1-23-88 APP. [Signature]</p>				<p>GENERAL TOLERANCE</p>		<p>SIZE LOC NUMBER</p>	
<p>LTR REVISION RECORD DR CHK DATE</p>				<p>SCALE 2-1</p>				<p>A3 J</p>		<p>C-174683</p>	
<p>REVISION RECORD</p>				<p>DR CHK DATE</p>				<p>SCALE 2-1</p>		<p>REV. B SHEET 10F1</p>	

AMP AMP (JAPAN), LTD. Tokyo, Japan

SCALE 2-1 REV. B SHEET 10F1